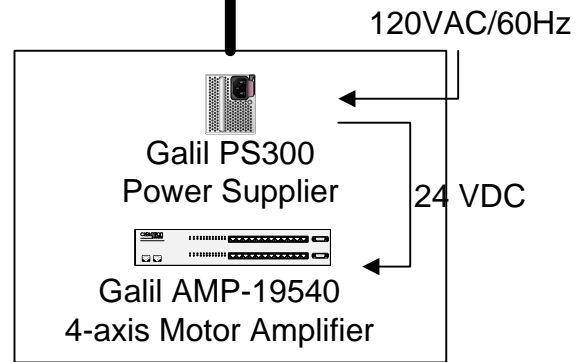


15-meters shielded cables

Power Box
19 inch Rack 2U



Dynamic Engineering
PMC-PARALLEL-485-NRC1
RTS Interface

RTS Network

1Gbit Ethernet

Kontron CP600 Pentium-M
CPU Blade

Galil 1640 Motion
Controller

Galil CABLE-100-5M
100-pin High-density cable
1-meter length



Electronic
Box
19 inch rack 2U

Kontron XL1200
cPCI Rack 19inch 2U
4 Slots

		SCUBA-2 POL-2		
		POL-2 Electrical Configuration		
E.B.	SIZE	FSCM NO	DWG NO SC2/PLM/ELE/002	REV B
	SCALE	1 : 1	SHEET	1 OF 1